



EXCLUSIVE

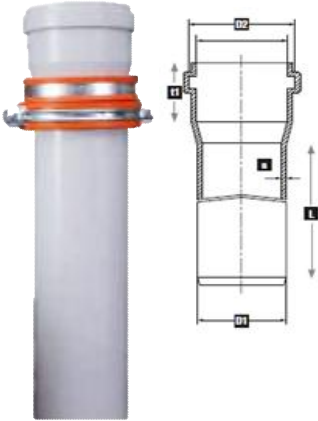
SOUNDPROOF PIPING SYSTEM



TSEK



EXCLUSIVE PIPE



Code	Diameter (mm)	Length (mm)	d ₁ (mm)	s (mm)	d ₂ (mm)	t ₁ (mm)	PCS
115.1G.131.A00	50	150	50	4.0	59.6	70	100
115.1G.132.A00	50	250	50	4.0	59.6	70	70
115.1G.133.A00	50	500	50	4.0	59.6	70	8
115.1G.134.A00	50	1000	50	4.0	59.6	70	8
115.1G.135.A00	50	2000	50	4.0	59.6	70	8
115.1G.136.A00	50	3000	50	4.0	59.6	70	8
115.1G.137.A00	50	6000	50	4.0	59.6	70	1
115.1G.131.B00	75	150	75	4.5	84.5	78	50
115.1G.132.B00	75	250	75	4.5	84.5	78	40
115.1G.133.B00	75	500	75	4.5	84.5	78	4
115.1G.134.B00	75	1000	75	4.5	84.5	78	4
115.1G.135.B00	75	2000	75	4.5	84.5	78	4
115.1G.136.B00	75	3000	75	4.5	84.5	78	4
115.1G.137.B00	75	6000	75	4.5	84.5	78	1
115.1G.131.C00	110	150	110	5.3	120.6	89	30
115.1G.132.C00	110	250	110	5.3	120.6	89	20
115.1G.133.C00	110	500	110	5.3	120.6	89	4
115.1G.134.C00	110	1000	110	5.3	120.6	89	4
115.1G.135.C00	110	2000	110	5.3	120.6	89	4
115.1G.136.C00	110	3000	110	5.3	120.6	89	4
115.1G.137.C00	110	6000	110	5.3	120.6	89	1
115.1G.131.D00	125	150	125	5.3	137.5	91	21
115.1G.132.D00	125	250	125	5.3	137.5	91	14
115.1G.133.D00	125	500	125	5.3	137.5	91	7
115.1G.134.D00	125	1000	125	5.3	137.5	91	2
115.1G.135.D00	125	2000	125	5.3	137.5	91	2
115.1G.136.D00	125	3000	125	5.3	137.5	91	2
115.1G.137.D00	125	6000	125	5.3	137.5	91	1
115.1G.131.E00	160	150	160	5.3	174.3	100	12
115.1G.132.E00	160	250	160	5.3	174.3	100	8
115.1G.133.E00	160	500	160	5.3	174.3	100	4
115.1G.134.E00	160	1000	160	5.3	174.3	100	1
115.1G.135.E00	160	2000	160	5.3	174.3	100	1
115.1G.136.E00	160	3000	160	5.3	174.3	100	1
115.1G.137.E00	160	6000	160	5.3	174.3	100	1
115.1G.133.F00	200	500	200	6.2	216.2	109	3
115.1G.134.F00	200	1000	200	6.2	216.2	109	1
115.1G.136.F00	200	2000	200	6.2	216.2	109	1
115.1G.137.F00	200	3000	200	6.2	216.2	109	1
115.1G.137.F00	200	6000	200	6.2	216.2	109	1

Exc. Single Branch 87°



Code	Diameter (mm)	A (mm)	B (mm)	C (mm)	D (mm)	E (mm)	PCS/Bag
115.1G.205.AA0	50x50	50	157.0	47.0	50	50	100
115.1G.205.BA0	75x50	75	176.0	47.0	50	75	50
115.1G.205.BB0	75x75	75	190.0	55.5	75	75	30
115.1G.205.CA0	110x50	110	228.0	47.0	50	110	20
115.1G.205.CB0	110x75	110	228.0	52.0	75	110	20
115.1G.205.CC0	110x110	110	240.0	61.0	110	110	15
115.1G.205.DA0	125x50	125	269.5	47.0	50	125	10
115.1G.205.DB0	125x75	125	269.5	52.0	75	125	10
115.1G.205.DC0	125x110	125	269.5	60.0	110	125	10
115.1G.205.DD0	125x125	125	275.0	72.0	125	125	10
115.1G.205.EC0	160x110	160	290.0	80.0	110	160	5

Exc. Single Branch 45°



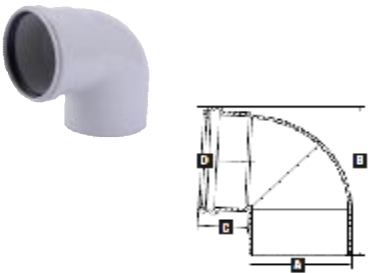
Code	Diameter (mm)	A (mm)	B (mm)	C (mm)	D (mm)	E (mm)	PCS/Bag
115.1G.204.AA0	50x50	50	190.0	80.0	50	50	80
115.1G.204.BA0	75x50	75	198.0	80.0	75	50	50
115.1G.204.BB0	75x75	75	230.0	100.0	75	75	30
115.1G.204.CA0	110x50	110	208.0	80.0	110	50	20
115.1G.204.CB0	110x75	110	242.0	100.0	110	75	15
115.1G.204.CC0	110x110	110	291.0	135.0	110	110	10
115.1G.204.DA0	125x50	125	216.0	80.0	125	50	15
115.1G.204.DB0	125x75	125	264.0	100.0	125	75	10
115.1G.204.DC0	125x110	125	313.0	135.0	125	110	10
115.1G.204.DD0	125x125	125	331.0	150.0	125	125	8
115.1G.204.EB0	160x75	160	391.0	100.0	160	75	6
115.1G.204.EC0	160x110	160	391.0	147.5	160	110	6
115.1G.204.ED0	160x125	160	391.0	171.6	160	125	5
115.1G.204.EE0	160x160	160	391.0	185.0	160	160	4
115.1G.204.FC0	200x110	200	480.0	135.0	200	110	3
115.1G.204.FD0	200x125	200	480.0	147.5	200	125	3
115.1G.204.FE0	200x160	200	480.0	180.0	200	160	2
115.1G.204.FF0	200x200	200	480.0	213.4	200	200	2

Exc. Double Branch 45°



Code	Diameter (mm)	A (mm)	B (mm)	C (mm)	D (mm)	E (mm)	PCS/Bag
115.1G.207.AA0	50x50	50	176.0	115.5	50	50	50
115.1G.207.BA0	75x50	75	222.0	136.0	75	50	35
115.1G.207.BB0	75x75	75	222.0	151.0	75	75	25
115.1G.207.CA0	110x50	110	295.0	165.0	110	50	20
115.1G.207.CB0	110x75	110	295.0	180.5	110	75	10
115.1G.207.CC0	110x110	110	295.0	210.0	110	110	8
115.1G.207.DA0	125x50	125	335.0	171.0	125	50	10
115.1G.207.DB0	125x75	125	335.0	193.0	125	75	8
115.1G.207.DC0	125x110	125	335.0	224.0	125	110	6
115.1G.207.DD0	125x125	125	335.0	234.0	125	125	5
115.1G.207.EB0	160x75	160	395.0	217.0	160	75	5
115.1G.207.EC0	160x110	160	395.0	248.0	160	110	4
115.1G.207.ED0	160x125	160	395.0	258.2	160	125	4
115.1G.207.EE0	160x160	160	395.0	277.0	160	160	3

Exc. Elbow 87°



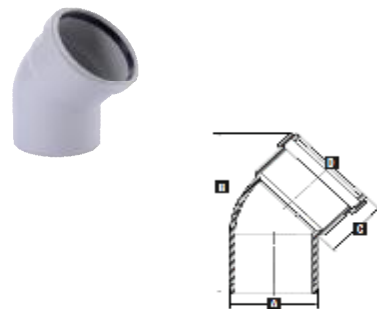
Code	Diameter (mm)	A (mm)	B (mm)	C (mm)	D (mm)	PCS/Bag
115.1G.202.A00	50	50	112	50.3	50	175
115.1G.202.B00	75	75	125	56.0	75	70
115.1G.202.C00	110	110	187	61.3	110	20
115.1G.202.D00	125	125	212	72.2	125	15
115.1G.202.E00	160	160	258	79.6	160	8
115.1G.202.F00	200	200	310	102.4	200	5

Exc. Elbow 87° with Cleaning Part



Code	Diameter (mm)	A (mm)	B (mm)	C (mm)	D (mm)	PCS/Bag
115.1G.202.C0T	110	110	187	61.3	110	15
115.1G.202.E0T	160	160	258	79.6	160	8
115.1G.202.F0T	200	200	327	102.4	200	4

Exc. Elbow 45°



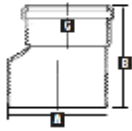
Code	Diameter (mm)	A (mm)	B (mm)	C (mm)	D (mm)	PCS/Bag
115.1G.203.A00	50	50	126	50	50	200
115.1G.203.B00	75	75	150	54.3	75	80
115.1G.203.C00	110	110	184	62.2	110	25
115.1G.203.D00	125	125	218	72.0	125	20
115.1G.203.E00	160	160	255	79.4	160	10
115.1G.203.F00	200	200	358	104.0	200	4

Exc. Elbow 45° with Cleaning Part



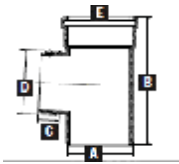
Code	Diameter (mm)	A (mm)	B (mm)	C (mm)	D (mm)	PCS/Bag
115.1G.203.C0T	110	110	184	62.2	110	20
115.1G.203.E0T	160	160	255	79.4	160	7
115.1G.203.F0T	200	200	348	86.9	200	4

Exc. Reducer



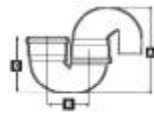
Code	Diameter (mm)	A (mm)	B (mm)	C (mm)	PCS/Bag
115.1G.206.BA0	75x50	75	122.0	50	125
115.1G.206.CA0	110x50	110	151.0	50	50
115.1G.206.CB0	110x75	110	141.0	75	45
115.1G.206.DB0	125x75	125	162.0	75	40
115.1G.206.DC0	125x110	125	142.0	110	30
115.1G.206.EC0	160x110	160	189.0	110	15
115.1G.206.ED0	160x125	160	174.0	125	15
115.1G.206.FD0	200x125	200	220.0	125	10
115.1G.206.FE0	200x160	200	220.0	160	8

Exc. Cleaning T



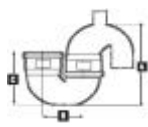
Code	Diameter (mm)	A (mm)	B (mm)	C (mm)	D (mm)	E (mm)	PCS/Bag
115.1G.208.B00	75	75	190.0	55.5	92.0	75	30
115.1G.208.C00	110	110	237.0	35.2	118.0	110	15
115.1G.208.D00	125	125	274.0	61.0	134.0	125	10
115.1G.208.E00	160	160	290.0	70.0	118.0	160	5

Exc. S-Trap



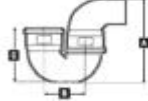
Code	Diameter (mm)	A (mm)	B (mm)	C (mm)	PCS/Bag
115.1G.209.CTS	110	290	150	175	10

Exc. S-Trap with Vent



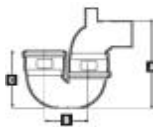
Code	Diameter (mm)	A (mm)	B (mm)	C (mm)	PCS/Bag
115.1G.209.CTV	110	290	150	175	10

Exc. P-Trap



Code	Diameter (mm)	A (mm)	B (mm)	C (mm)	PCS/Bag
115.1G.209.CTP	110	290	150	175	10

Exc. P-Trap with Vent



Code	Diameter (mm)	A (mm)	B (mm)	C (mm)	PCS/Bag
115.1G.209.CTV	110	290	150	175	10

Incola Acoustic Pipe Clamp



Code	Diameter (mm)
221.1G.510.A00	50
221.1G.510.B00	75
221.1G.510.C00	110
221.1G.510.D00	125
221.1G.510.E00	160

Incola Acoustic Pipe Clamp with Nut



Code	Diameter (mm)
221.1G.515.A00	50
221.1G.515.B00	75
221.1G.515.C00	110
221.1G.515.D00	125
221.1G.515.E00	160

Incola Acoustic Pipe Clamp with Screw



Code	Diameter (mm)
221.1G.516.A00	50
221.1G.516.B00	75
221.1G.516.C00	110
221.1G.516.D00	125
221.1G.516.E00	160